

TECHNICAL SPECIFICATIONS

Three Phase Four Wires Din Rail Energy Meter 26-33010



Three phase, 7 modules, 126 mm, 100A
 direct or CT 1.5(6)A indirect, 50~60Hz,
 230/400V AC (3~), LCD display, DIN rail.



Cod Dablerom

02-552/DIG

The 26-33010 is three phase kWh meters with a LCD display in a 7 module (126mm) casing, ensuring a high accuracy class (Class1), a very low starting current which makes it exceptionally suited for photovoltaic energy systems and general use.

Excellent long term stability which is designed for DIN, IEN and EN standards and 2 years of warranty.

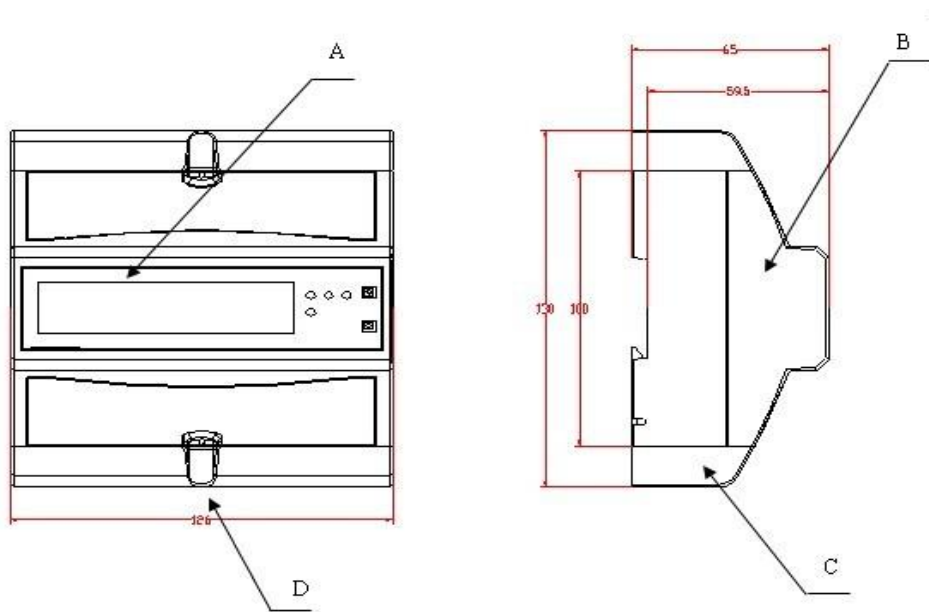
MID B&D approval which ensures the meter is produced to the highest European and International standards and the meter legally suited for business and invoicing purposes.

For connection rate up to 100A or connection with CT 1.5(6)A.
 5A CT version for measuring with current transformers available (27 CT Changing-Ratios to choose).

Meter Type	26-33010
Accuracy Class	1
Reference Voltage (U_n)	230/400V AC (3~)
Operating voltage	161/279 – 300/520V AC (3~)
Impulse Voltage	6kV – 1.2 μ S waveform
Rated Current (I_b)	1.5 /10 A
Maximum Rated Current (I_{max})	6 /100A
Operating Current Range	0.4% I_b ~ I_{max}
Operating Frequency Range	50~60z \pm 10%
Internal Power Consumption	<2W/10VA
Operating Humidity range	<75%
Storage Humidity range	<95%
Operating Temperature range	-10 $^{\circ}$ C ~+50 $^{\circ}$ C
Storage Temperature range	-30 $^{\circ}$ C - +70 $^{\circ}$ C
Overall dimensions(mm)	130 \times 126 \times 65
Weight(kg)	about 0.7kg (net)
CT Changing-Ratio	Fully Programmable(27 ratios)
Display	LCD

Three Phase Four Wires Din Rail Energy Meter 26-33010

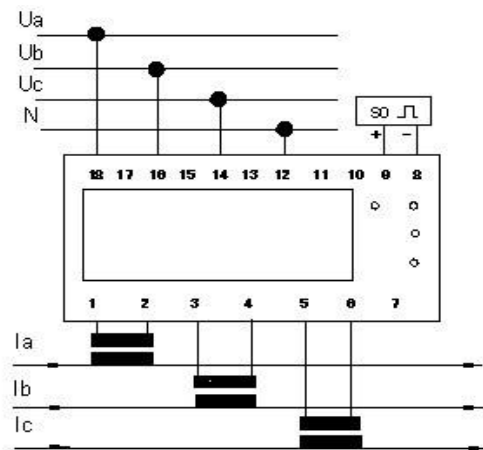
Dimensions



Wiring Diagram

A. Direct connect type:

- 1/2 Ia IN/OUT
- 3/4 Ib IN/OUT
- 5/6 Ic IN/OUT
- 18/16/14/12 Phase A/B/C/N
- 8/9 Test pulse output contact



B. CT connect type:

- 1/2 Ia IN/OUT
- 3/4 Ib IN/OUT
- 5/6 Ic IN/OUT
- 7 Neutral wire
- 8/9 Test pulse output contact

